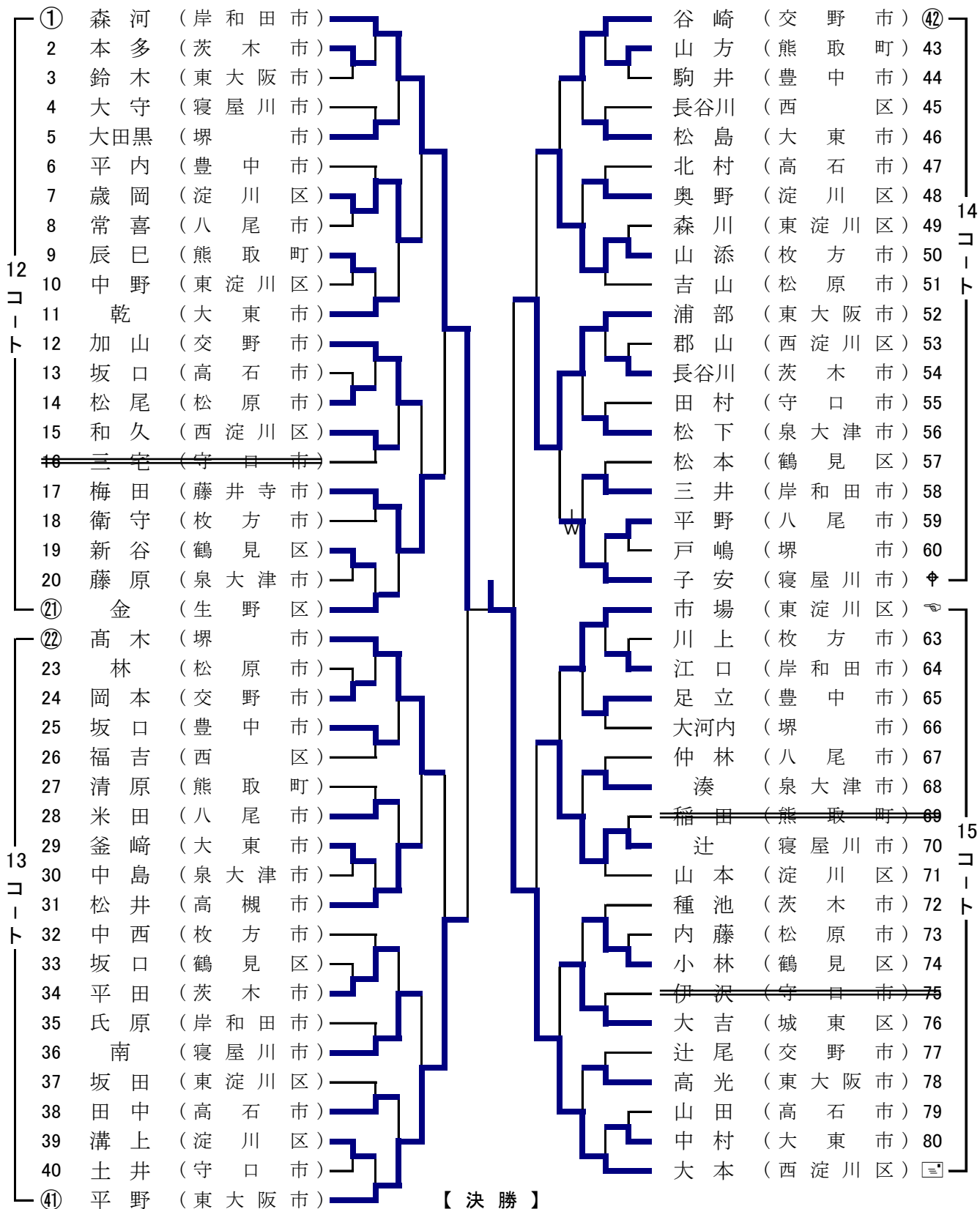


第2競技場

⑩ 中学2年女子

○印はコート責任者



【決勝】

| | | | | | | | | | | | | | | | | | | | |
|--------------|---|---|---|---|----|---|---|----|----|---|---|----|---|---|----|---|----|---|--------------|
| 森河 美紅 (岸和田市) | 2 | <table border="0"> <tr><td>3</td><td>-</td><td>11</td></tr> <tr><td>9</td><td>-</td><td>11</td></tr> <tr><td>11</td><td>-</td><td>2</td></tr> <tr><td>11</td><td>-</td><td>8</td></tr> <tr><td>12</td><td>-</td><td>14</td></tr> </table> | 3 | - | 11 | 9 | - | 11 | 11 | - | 2 | 11 | - | 8 | 12 | - | 14 | 3 | 大本さくら (西淀川区) |
| 3 | - | 11 | | | | | | | | | | | | | | | | | |
| 9 | - | 11 | | | | | | | | | | | | | | | | | |
| 11 | - | 2 | | | | | | | | | | | | | | | | | |
| 11 | - | 8 | | | | | | | | | | | | | | | | | |
| 12 | - | 14 | | | | | | | | | | | | | | | | | |